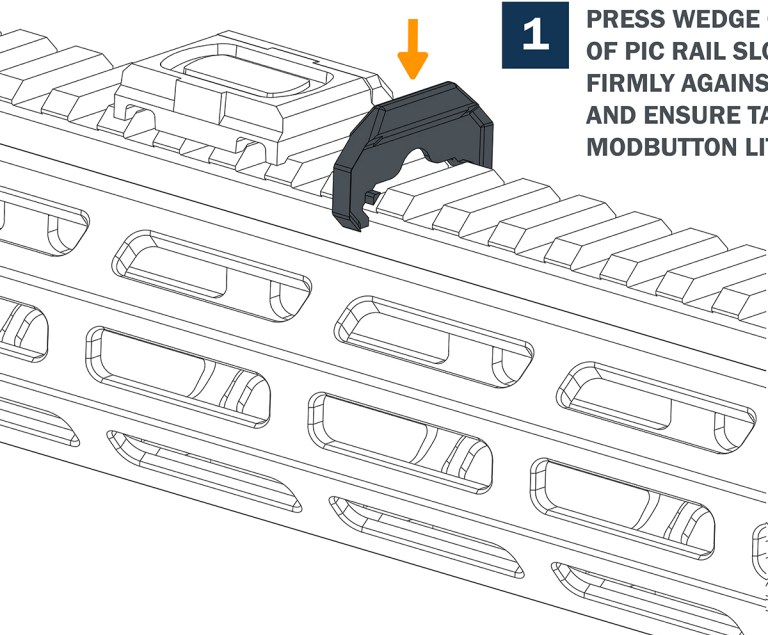


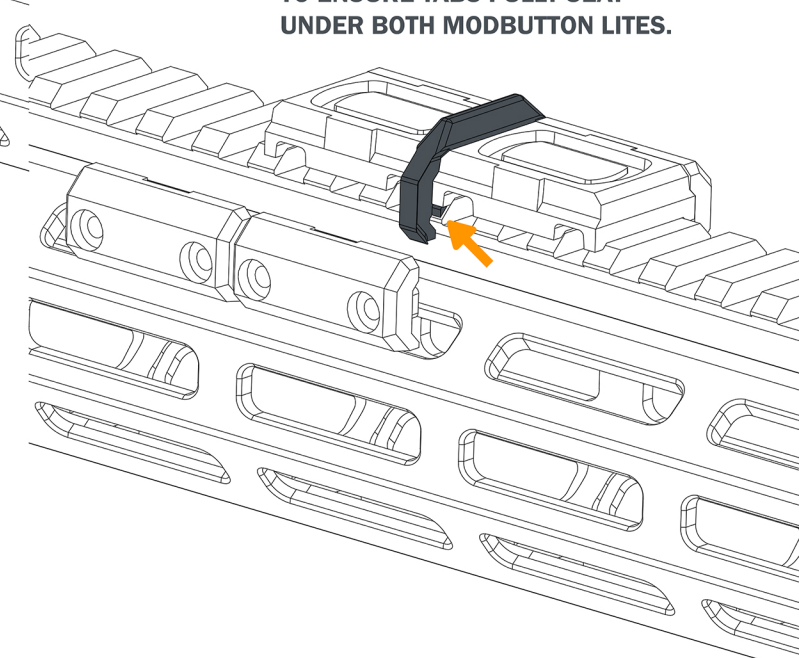
WEAPON ELECTRONICS DIVIDING GAP ERASER INSTALLATION INSTRUCTIONS

⚠ ENSURE FIREARM IS UNLOADED AND SAFE

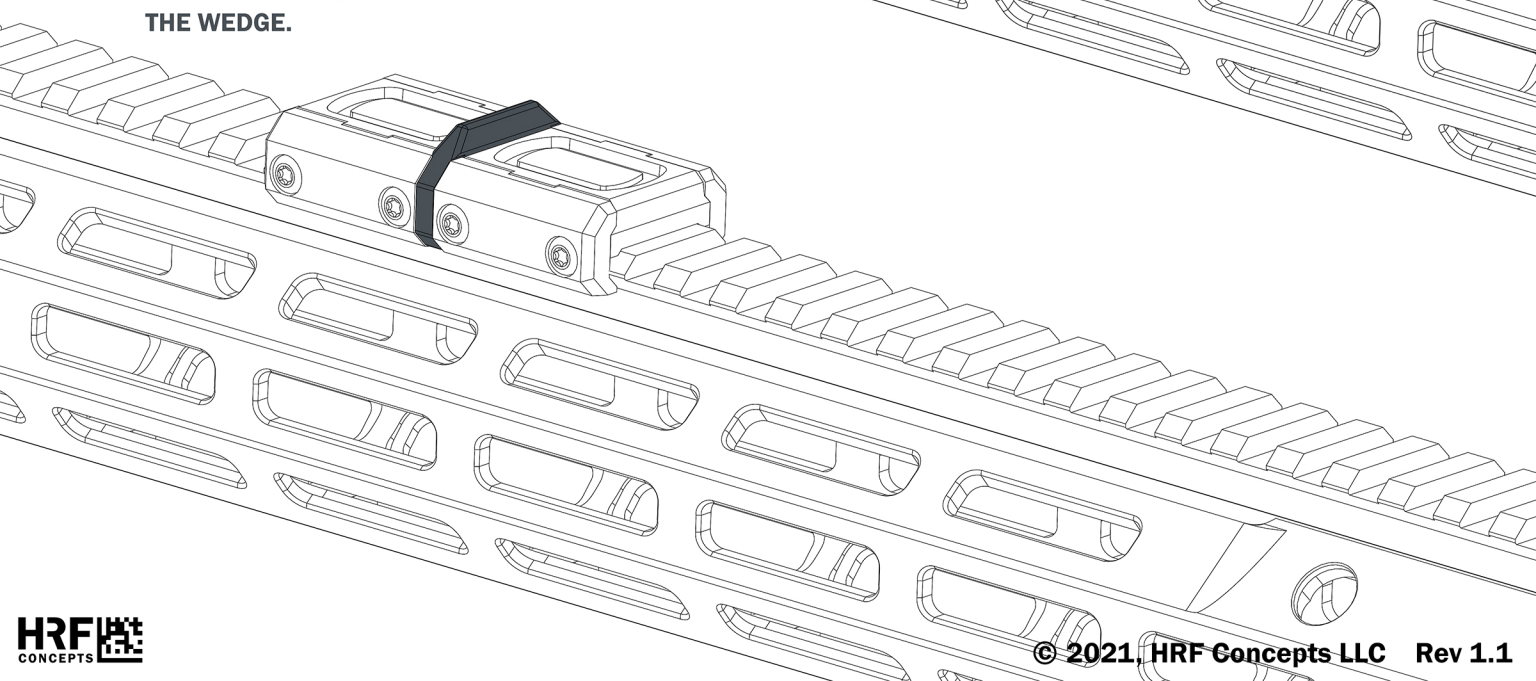
⚠ WARNING: DAMAGE CAUSED BY OVER-TORQUED FASTENERS NOT COVERED BY WARRANTY.



1 PRESS WEDGE ONTO RAIL IN MIDDLE OF PIC RAIL SLOT. THEN PRESS WEDGE FIRMLY AGAINST MODBUTTON LITE AND ENSURE TABS FULLY SEAT UNDER MODBUTTON LITE ON EACH SIDE.



2 FIT SECOND MODBUTTON LITE TO WEDGE AND PRESS FIRMLY AGAIN TO ENSURE TABS FULLY SEAT UNDER BOTH MODBUTTON LITES.



3 FIRMLY PRESS OPPOSING SIDE OF MODBUTTON LITE ONTO BUTTONS. THE WEDGE MAKES THIS A TIGHT FIT HOWEVER IT WILL SNAP TOGETHER AND FORM A VERY STRONG MOUNTING SOLUTION FOR THE WEDGE.