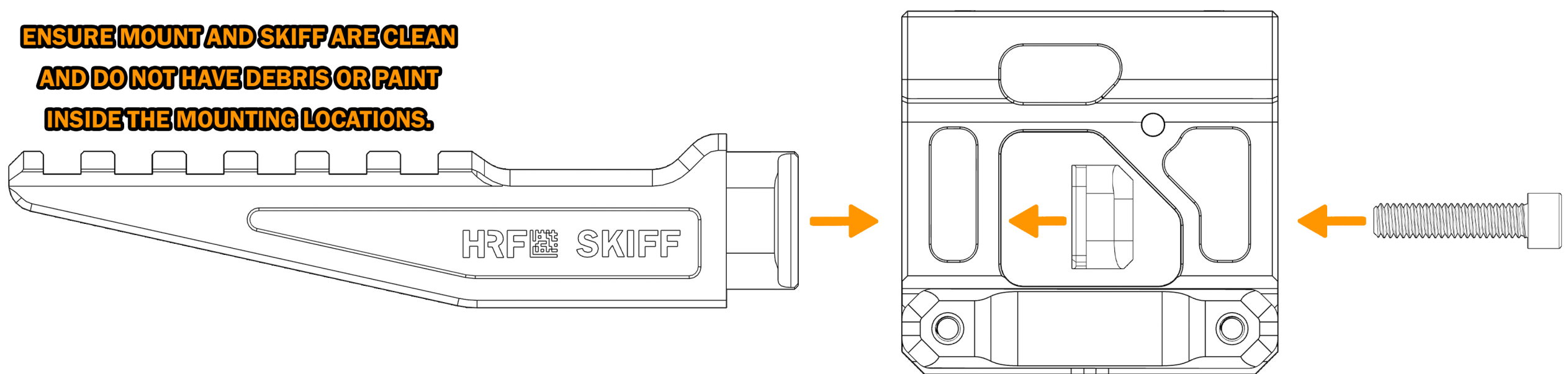


SKIFF LASER RISER INSTALLATION INSTRUCTIONS

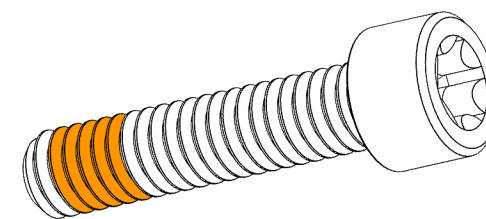
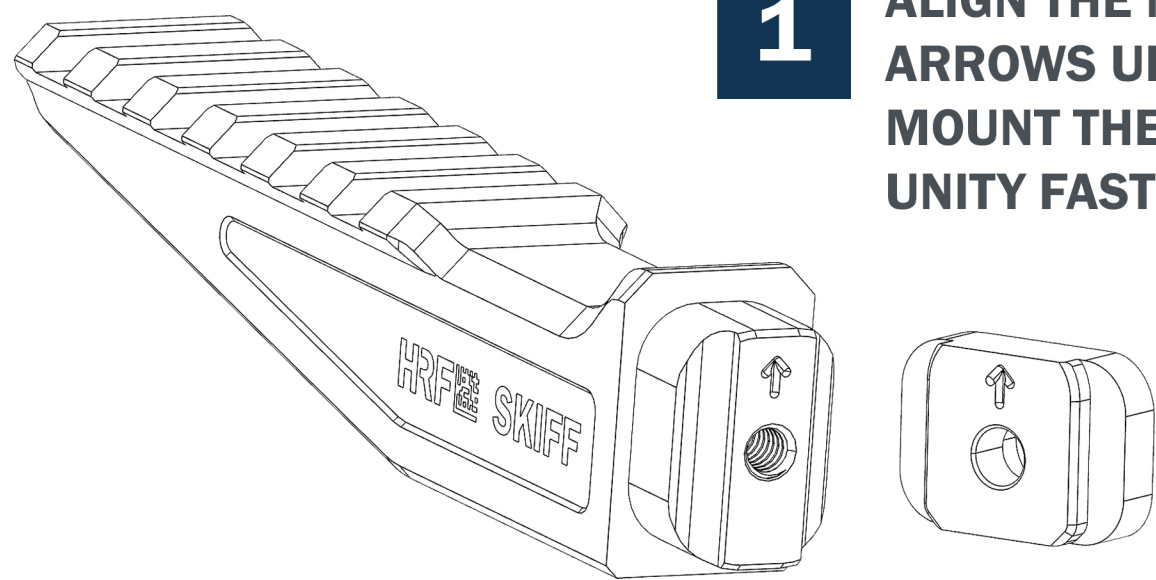
! ENSURE FIREARM IS UNLOADED AND SAFE

! WARNING: DAMAGE CAUSED BY OVER-TORQUED FASTENERS NOT COVERED BY WARRANTY.

**ENSURE MOUNT AND SKIFF ARE CLEAN
AND DO NOT HAVE DEBRIS OR PAINT
INSIDE THE MOUNTING LOCATIONS.**



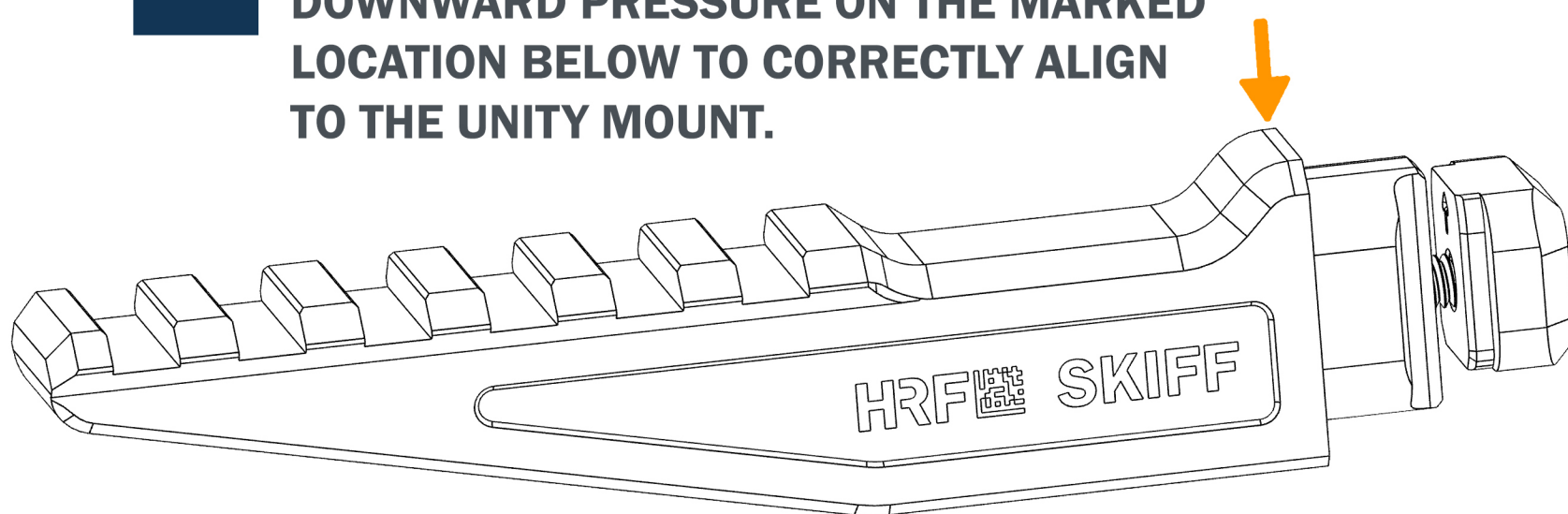
1 ALIGN THE MARKED
ARROWS UP TO CORRECTLY
MOUNT THE SKIFF TO THE
UNITY FAST RISER.



3 USING AN IP25 TORX
PLUS BIT, INSTALL THE
SKIFF AND TORQUE
TO 35 IN-LBS.

2 APPLY THE THREADLOCKER INCLUDED TO
THE BOLT FOLLOWING THE INSTRUCTIONS ON
THE PACKAGING. IF LOCTITE RED OR BLUE IS
PREFERRED IT CAN BE USED INSTEAD AS
LONG AS THE BOLT IS PROPERLY CLEANED
OFF PRIOR TO APPLICATION.

4 WHEN INSTALLING THE SKIFF APPLY
DOWNWARD PRESSURE ON THE MARKED
LOCATION BELOW TO CORRECTLY ALIGN
TO THE UNITY MOUNT.



5 WITNESS MARK THE
BOLT FACE AND REAR
MOUNTING BRACKET.

