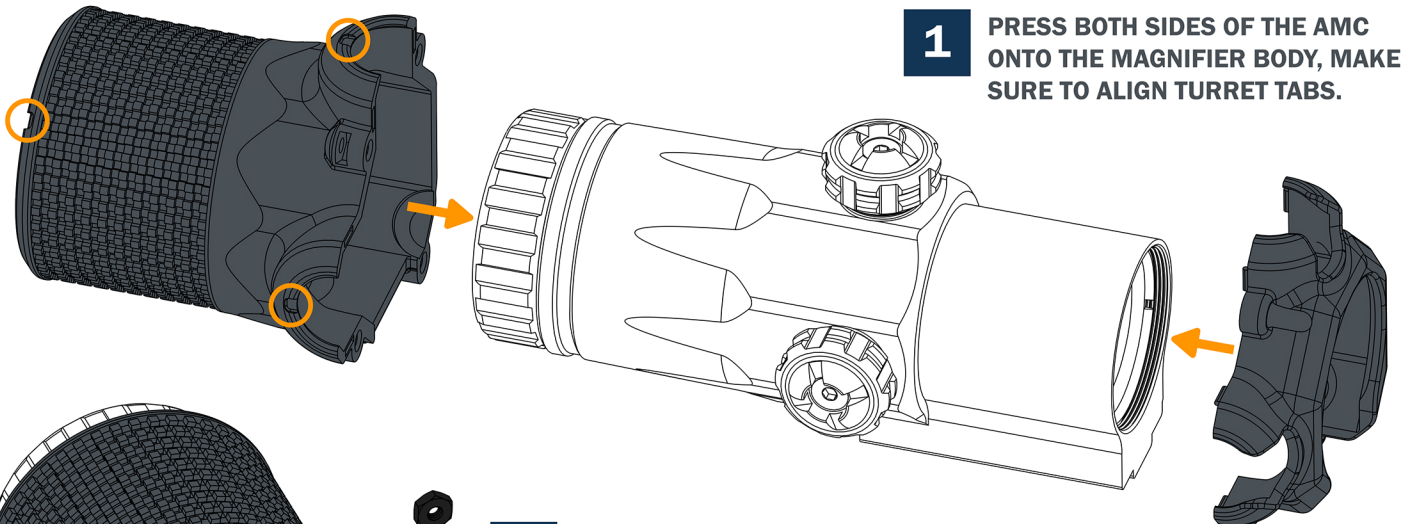


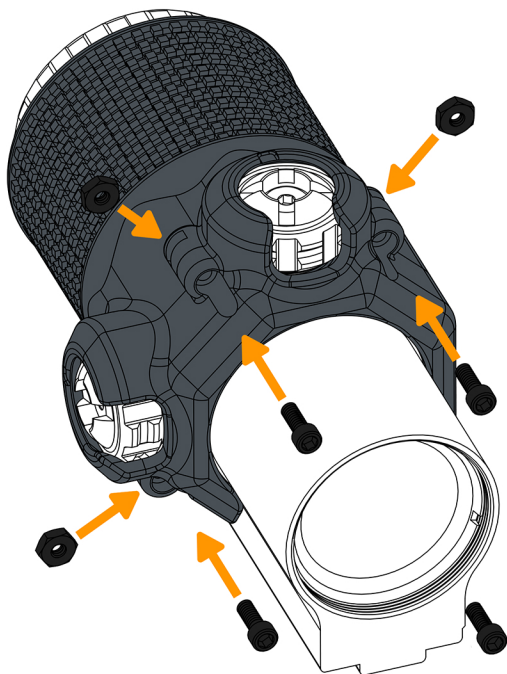
## ARMORED MAGNIFIER COVER INSTALLATION INSTRUCTIONS

### ⚠️ ENSURE FIREARM IS UNLOADED AND SAFE

⚠️ WARNING: DAMAGE CAUSED BY OVER-TORQUED FASTENERS NOT COVERED BY WARRANTY.



**1** PRESS BOTH SIDES OF THE AMC ONTO THE MAGNIFIER BODY, MAKE SURE TO ALIGN TURRET TABS.



**2** PRESS HEX NUTS INTO REAR COVER THEN INSTALL INCLUDED BOLTS USING 5/64" HEX KEY. USE HAND TIGHT FIT PLUS HALF TURN.

DO NOT TORQUE PAST 5 IN-LBS.

**3** WITNESS MARK REAR DIOPTER RING AND TURRETS USING PROVIDED LOCATIONS CIRCLED IN ORANGE. ENSURE MAGNIFIER COVER DOES NOT INTERFERE WITH FLIP MOUNT FUNCTION OR IMPACT REAR IRONS.

